

Accessories for Angle- and Straightness Autocollimators ELWIMAT/ ELWIMAT_AKF

MOUNTING SUPPORT AND BEARING BLOCKS

Adjustable Mounting Support 2-Axes D 65

- Adjustment: $\pm 2^\circ$ per Axis
- Adjustment sensitivity: ± 2 arcsec
- Sheath clamp for lens barrel $\text{-}\varnothing 65$ mm
- Restricted fitting for lens barrel $\varnothing 40$ mm available
- Height of optic axis: 102 mm

art. no.	name
800 016 001	Adjustable Mounting D 65 with finger screw
800 016 002	Adjustable Mounting D 65 with socket-head screw
800 016 003	Adjustable Mounting D 65 with clamping lever

Mounting Support D 65

- Sheath clamp for lens barrel $\varnothing 65$ mm
- Restricted fitting for lens barrel $\varnothing 40$ mm available
- Suitable for vacuum
- Height of optic axis: 62 mm

art. no.	name
800 028 001	Mounting D 65 one-sided with finger screw
800 028 002	Mounting D 65 one-sided with socket-head screw
800 028 003	Mounting D 65 one-sided with clamping lever
800 036 000	Reducer D 40/ D 65

Mounting Support D 65 two-sided

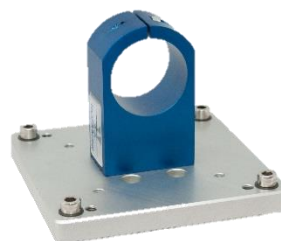
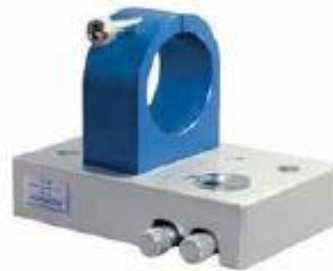
- Stable mounting of long autocollimators
- Restricted fitting for lens barrel $\varnothing 40$ mm available
- Suitable for vacuum
- Height of optic axis: 62 mm

art. no.	name
800 027 001	Mounting D 65 two-sided with finger screw
800 027 002	Mounting D 65 two-sided with socket-head screw
800 027 003	Mounting D 65 one-sided with clamping lever
800 036 000	Reducer D 40 / D 65

Mounting Support D 40

- Sheath clamp for lens barrel $\varnothing 40$ mm
- Base Plate 100 x 75 mm
- Suitable for vacuum
- Height of optic axis: 62 mm

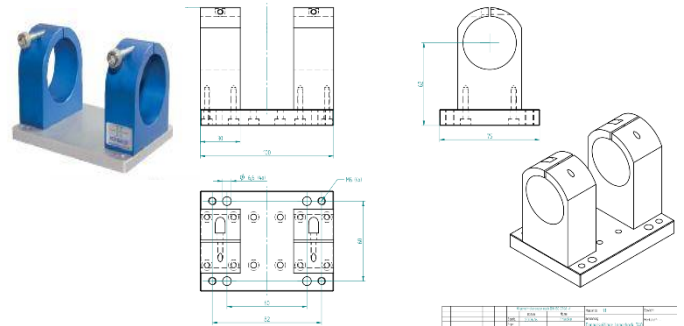
art. no.	name
800 028 011	Mounting D 40 one-sided with finger screw
800 028 012	Mounting D 40 one-sided with socket-head screw
800 028 013	Adjustable Mounting D 40 with clamping lever



Mounting Support D 40 Two-Sided

- Stable mounting of long autocollimators
- Bore hole pattern: M6, 50 x 60 mm
- Suitable for vacuum
- Height of optic axis: 62 mm

art. no.	name
800 032 001	Mounting D 40 two-sided with finger screw
800 032 002	Mounting D 40 two-sided with socket-head screw
800 032 003	Mounting D 40 one-sided with clamping lever

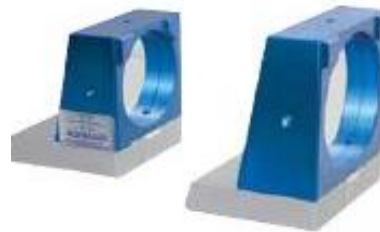


MIRRORS AND REFLECTORS

Measuring Mirror D60/ D80

- Diameter 60 mm and 80 mm
- Levelness $\lambda/8$ @633 nm
- Height of optic axis: 55 mm
- Appropriate for Angle- and Straightness

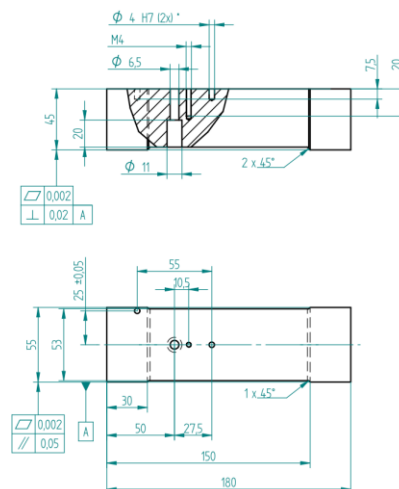
art. no.	name
800 029 000	Mounted Mirror D 60
800 033 000	Mirror D 80 up to >30 m
800 034 000	Mirror base 200 x 50 x 40



Reflector Base For Mirrors And Alignment Reflectors

- Base length 130 mm
- Base length 180 mm
- Seating for Measuring Mirror D60/ D80
- Material: gray iron oder granite

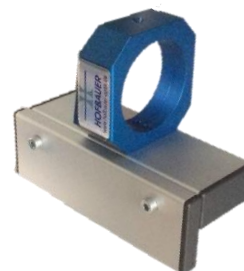
art. no.	name
800 034 100	Basis L = 130 granite
800 034 180	Basis L = 180 granite
800 035 100	Basis L = 130 gray iron
800 035 180	Basis L = 180 gray iron



Dual-Mirror With Magnetic Base

- Mirror with magnetic three-point support
- Fast, stable and mounting on any machines
- Mirror-Diameter 50 mm
- Base length 100 mm
- Levelness Mirror $\lambda/8$ @633 nm

art. no.	name
800 048 000	Framed magnetic Mirror D 50



Single Reflector For Angle- And Center Measurement

- Length 100 mm, Diameter 30 h6
- Mirror 26 mm, Centering stroke < 0,1 arcmin
- Reflector 12 mm, Centering stroke < 5 µm
-



art. no.	name
800 039	Mirror-Reflector weight 480 g
800 040	Tripel-Reflector weight 320 g
800 yyy*	Combined-Reflector two-sided (on request)

Multiple-Reflectors, Reflectors For 6-Axis Measurement

- Plane mirror and 2 Reflectors 1P2R
- Plane mirror and 4 Reflectors 1P4R
- Plane mirror and 6 Reflectors 1P6R



art. no.	name
800 041 xxx	Reflector B 70 1P2R B70
800 302 000	Reflector strip 1P2R B96
800 301 000	Reflector strip 1P4R
800 304 000	Reflector 1P6R
800 yyy*	custom made reflector (on request)
802 004_01	Reflector with Mirror D=80 and dual tripel
802 004_02	Reflector with Mirror D=60 und dual tripel

Adjusting Laser D65 /D40

- magnetically adhesive, battery operating laser
- wavelength 630 nm (red)
- fits for objectiv diameter 65 resp. 40 mm
- to align for long distances
- by placing the laser on the objective, laser will be activated automatically
- removing from objective, laser is de-activated
- Laser class 1
- Concentricity of Laser to tube: < 0,04°



art. no.	name
800 400 000	Adjusting Laser D 65 / D 40

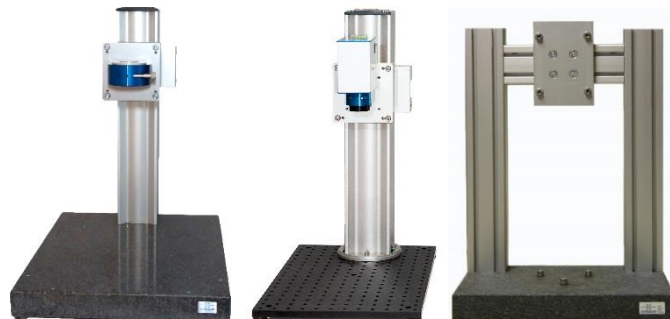
STATIVE

Vertikalstative für Autokollimatoren

- Stabile Halterung von Autokollimatoren
- Lagerbock D40/ D65 mit Justierplatte
- Stabile Vertikal-Säule oder Portal aus X-95/ Item-Profil
- Granitplatte matt oder poliert zur direkten Referenz
- Arbeitsbereich 160 x 160 oder bis Durchmesser 300 mm
- Buchsen mit Gewinde- und Passbohrungen
- Für Planflächen und flache Radien

Optional:

- Neigetisch 5 Grad, 90x90 für Planflächen und Keile
- Z-Schlitten/ Fokustrieb für Sphären und Zylinderlinsen
- Drehtisch zur Zentriermessung von Linsen und Objektiven



Best. Nr.	Bezeichnung
800 005 001	Vertikalstativ Granitbasis matt, Ebenheit < 0,05
800 005 002	Vertikalstativ Granit poliert, Ebenheit < 0,01
800 005 003	Vertikalstativ Alubreadboard, 300 x 450; Ebenheit < 0,1
800 005 004	Vertikal-Portal Granit

Horizontalstative für Autokollimatoren

- Stabiles Dreibeinstativ für Autokollimatoren
- Platte zur Aufnahme Justierbare Halterung D65
- Traglast > 20 kg
- Kurbelsäule mit 28 cm und 63 cm Hub
- Min/ Max. Höhe optische Achse: 90/ 200 cm

Best. Nr.	Bezeichnung
MAN 005 001	Horizontalstativ Kurbelauszug 28 cm
Gitzo	Horizontalstativ Kurbelauszug 63 cm



TRANSPORT UND AUFBEWAHRUNG

Transport und Aufbewahrungskoffer

Sicherer Transport der Autokollimatoren und Zubehör:

- Spiegel und Reflektoren
- Justierbare Halterung
- Tablet-PC
- Fernbedienung
- Docking-Station
- Kabelfach

Best. Nr.	Bezeichnung
800 026 000	Transportkoffer ELWIMAT mit Zubehör
800 026 001	Foto-Koffer 200x300 für ELWIMAT f' < 140 mm
800 026 002	Foto-Koffer 500x400 für ELWIMAT f' > 200 mm

